

CUTTING / BREAD BOARDS

SOLID RUBBERWOOD



BB2012MUF5 - Standard option with maple and oak pulls
12"W x 23-1/2"L x 3/4"Th



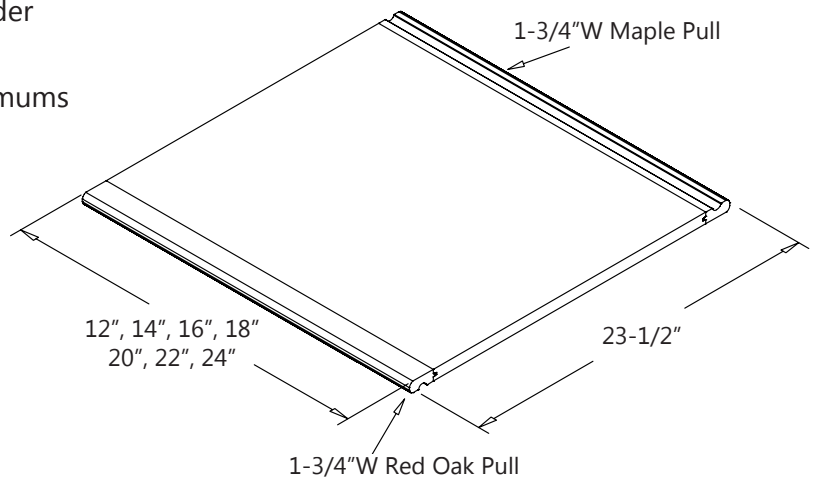
BB2016MUF5 - Standard option with maple and oak pulls
16"W x 23-1/2"L x 3/4"Th

Solid Rubberwood Cutting / Bread Boards

- Standard version available in a variety of widths by 23-1/2" long / deep
- Standard version thickness is 3/4"
- Standard version has a 1-3/4" maple pull on one end and 1-3/4" red oak pull on the other end
- All surfaces oiled with food-grade mineral oil (can be special-ordered without oil)
- Bulk packing only, 25 unit minimum order
- Custom versions and sizes available (see examples shown below), with minimums

Standard Cutting / Bread Boards - 3/4" thick

PART #	SIZE	SUG. RETAIL
BB2012MUF5	12"W x 23-1/2"L	\$42.43
BB2014MUF5	14"W x 23-1/2"L	\$50.57
BB2016MUF5	16"W x 23-1/2"L	\$53.86
BB2018MUF5	18"W x 23-1/2"L	\$63.71
BB2020MUF5	20"W x 23-1/2"L	\$67.14
BB2022MUF5	22"W x 23-1/2"L	\$70.14
BB2024MUF5	24"W x 23-1/2"L	\$71.00



Examples of custom options (minimums will apply):



3/4" thick cutting board
with square maple ends



1-3/8" thick
cutting board

