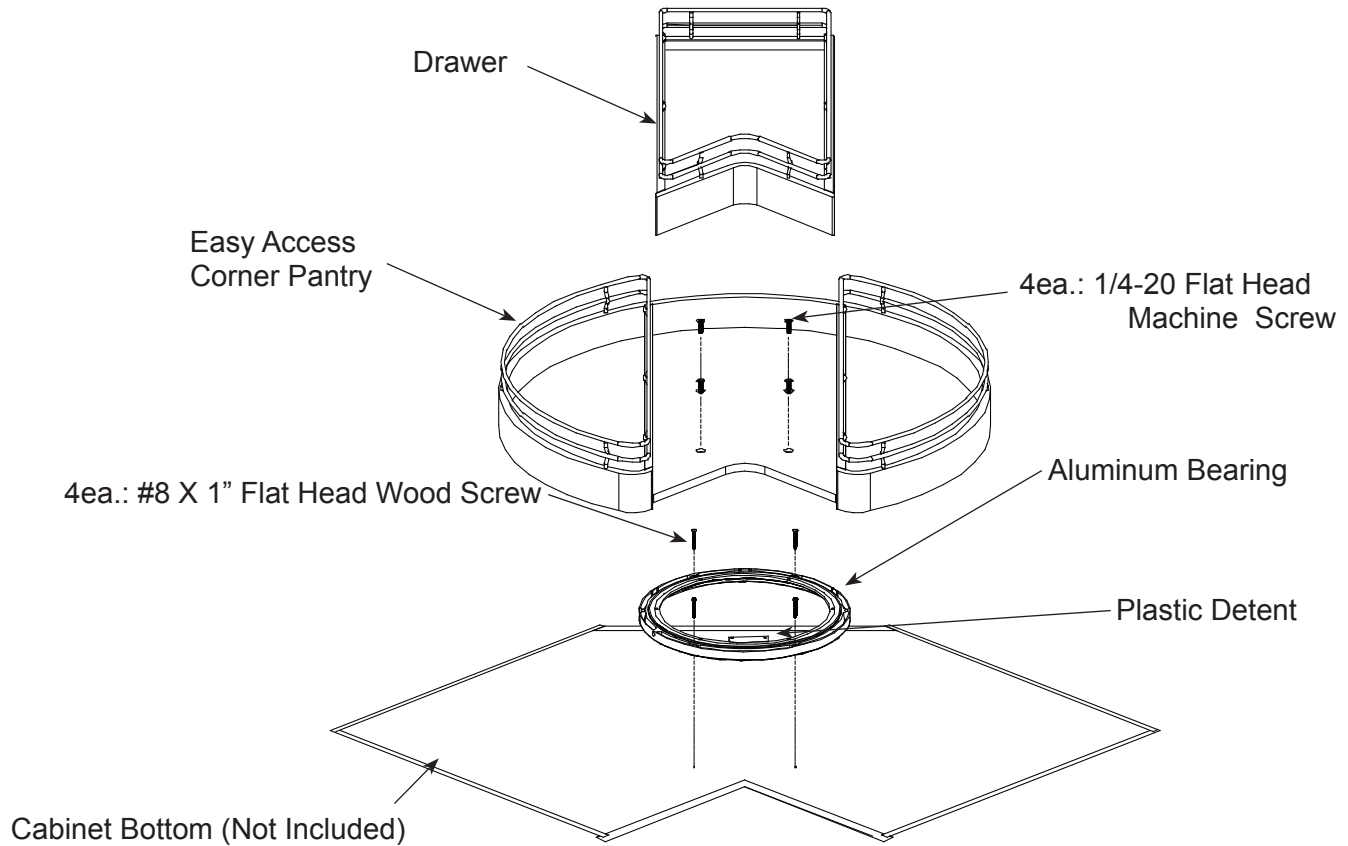




Omega National P R O D U C T S

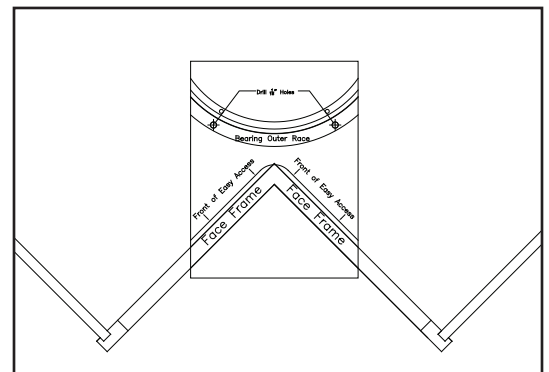


Meets **BHMA Class 1 Specifications**
Patents Pending

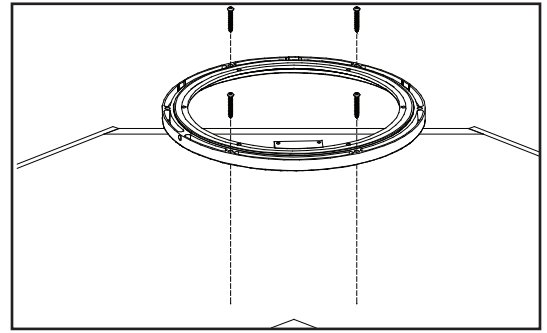
Important Notes

- Always read instructions completely and carefully before beginning assembly.
- Remove and check contents for concealed damage and or missing parts.
- Keep the original carton and packing material, which are required for all returns.

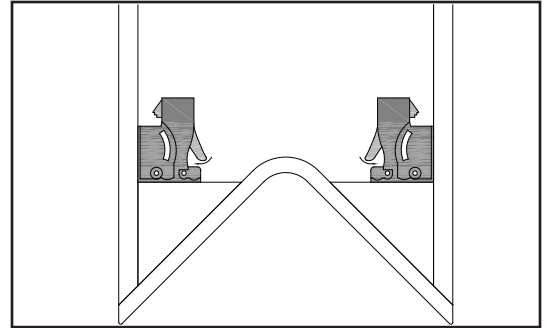
Step 1: Using the paper template provided align it with the face frame of the corner cabinet and drill 2 holes $\frac{1}{16}$ " in diameter at the marked locations. The template will set the Easy Access Corner Pantry $\frac{1}{4}$ " back from the inside of the face frame. Each cabinet varies so check the fit of the unit inside the cabinet before drilling any holes.



Step 2: Locate the Bearing with the bottom up, Make sure the plastic catch is engaged. Attach to the shelf with 2 - #8 x 1" Flat Head Wood Screws, through the outer race of the bearing. Make sure the screws go into the 2 holes drilled in Step 1.

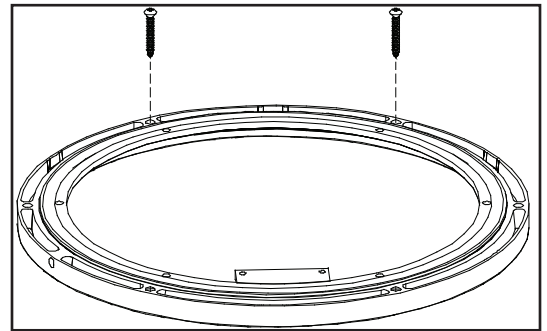


Step 3: Remove the drawer from the Easy Access Corner Pantry by pulling it out and up while depressing the 2 latches on the underside of the drawer.

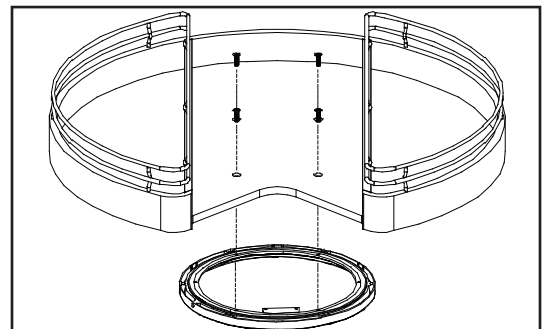


Step 4: Temporarily install the Easy Access Corner Pantry by attaching it to the inner race of the bearing with at least 2 - 1/4 - 20 X 1 flat head machine screws. Spin it and make sure it clears the inside of the cabinet and stops in the correct position. Make any necessary adjustments to the bearing location if it does not.

Step 5: Remove the Easy Access Corner Pantry and attach the bearing with 2 more #8 x 1" Flat Head Wood Screws



Step 6: Install the Easy Access Corner Pantry by attaching it to the inner race of the bearing with 4 ea. 1/4 - 20 X 1 flat head machine screws. Spin it and make sure it clears the inside of the cabinet and stops in the correct position



Step 7: Set the drawer on top of the slide rails and push in to the back until you hear the catches engage.